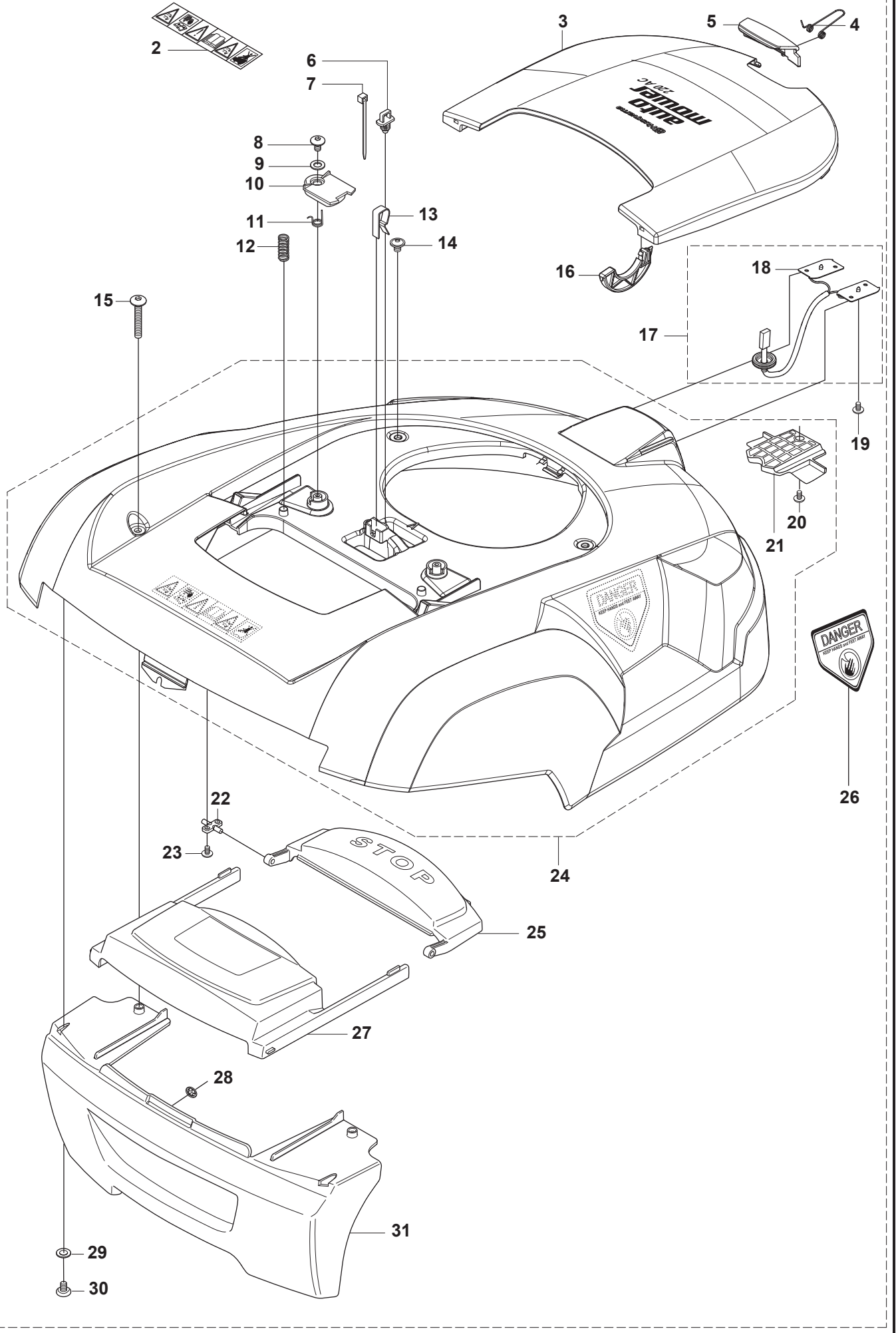


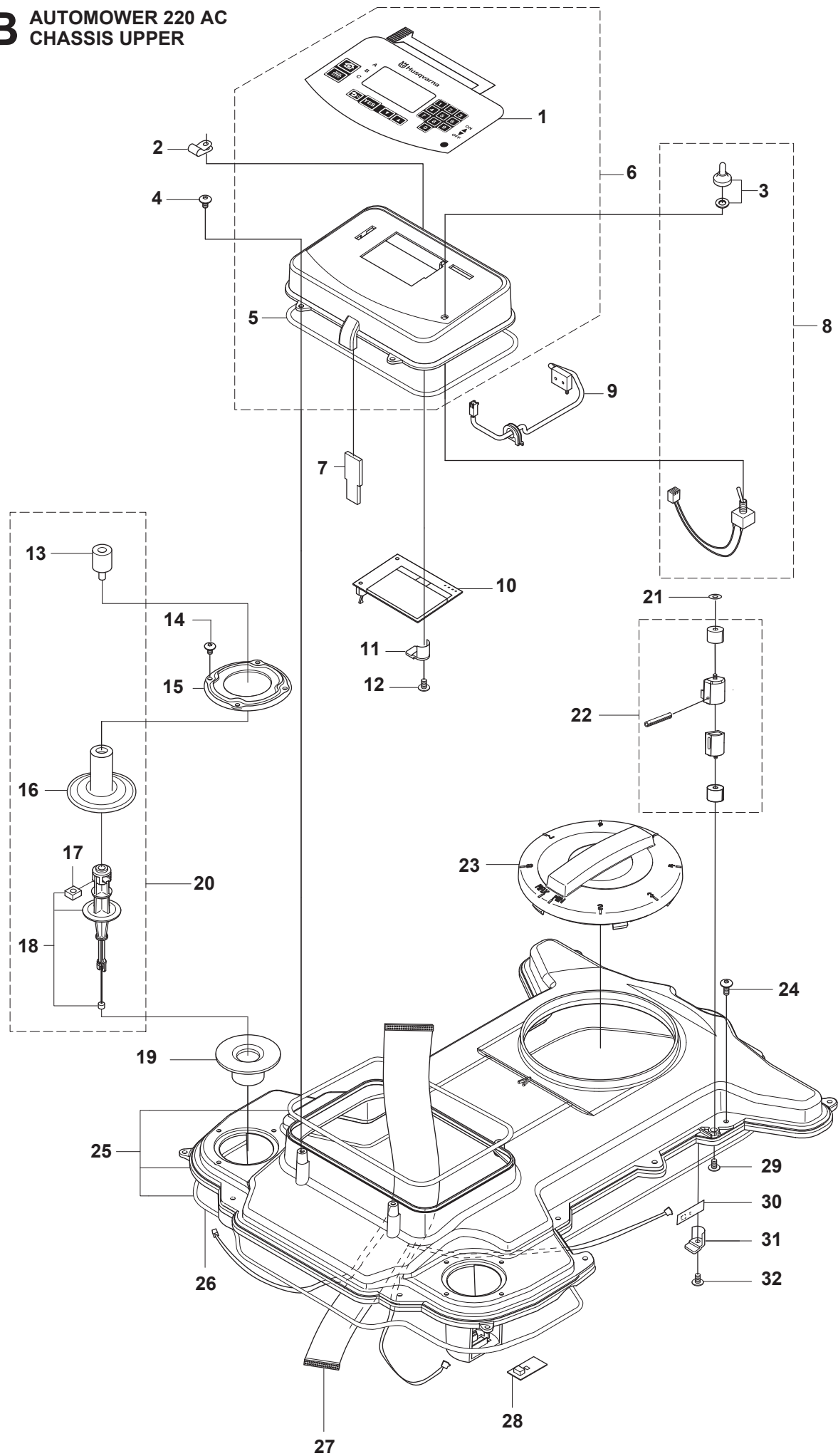
A AUTOMOWER 220 AC COVER

1



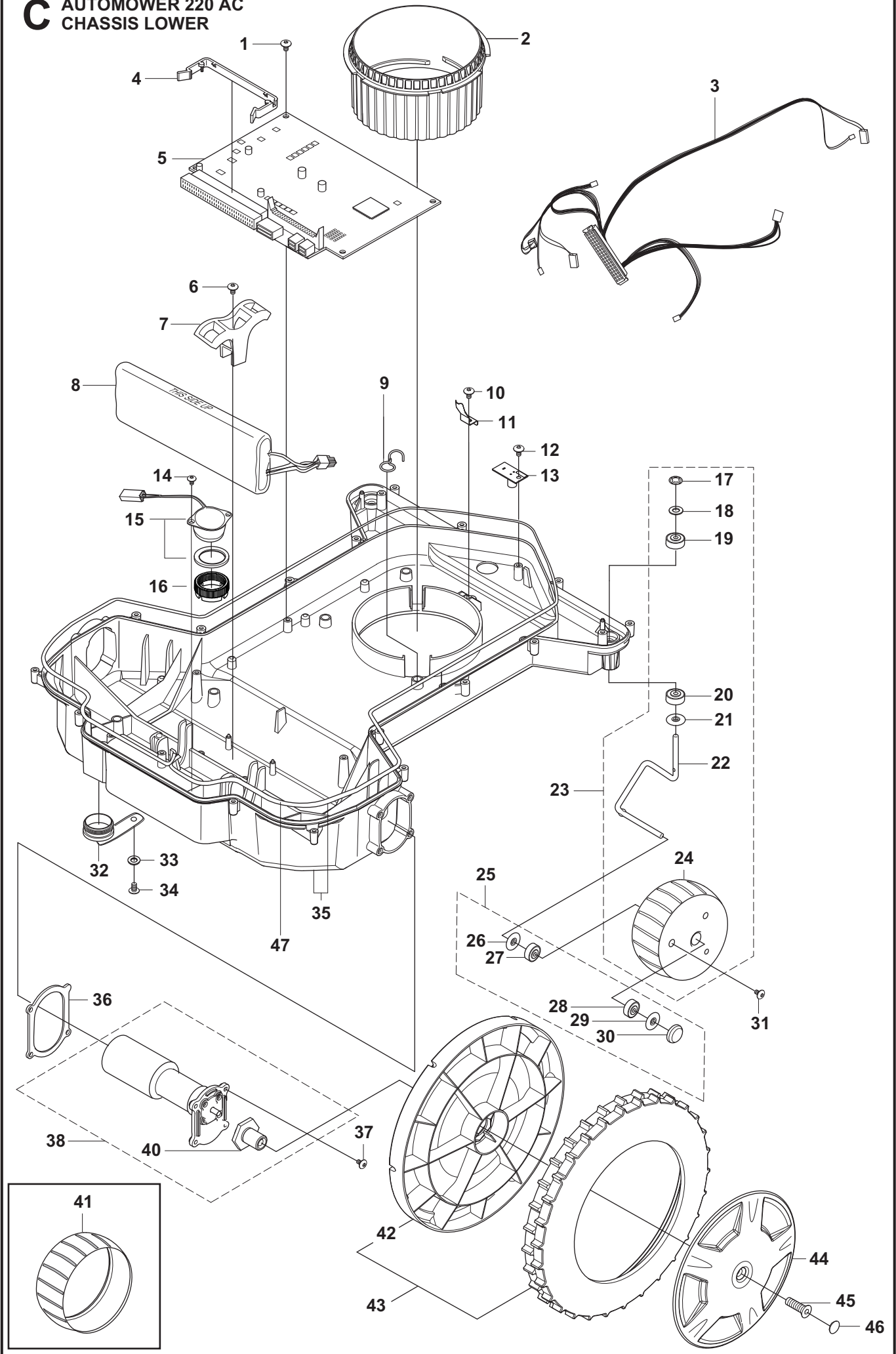
| Position | Article | Quantity | Notes | Kit |
|----------|--------------|----------|---------------------|-----|
| 1 | 575 61 88-01 | 1 | COVER, complete kit | |
| 2 | 522 79 27-01 | 1 | LABEL WARNING | |
| 3 | 544 91 80-02 | 1 | COVER | |
| 4 | 535 13 57-01 | 1 | TORSION SPRING | |
| 5 | 535 13 49-02 | 1 | LOCK | |
| 6 | 535 13 04-01 | 1 | ANCHOR | |
| 7 | 900 23 87-08 | 1 | TIE WRAP | |
| 8 | 575 54 33-10 | 2 | SCREW | |
| 9 | 734 11 37-41 | 2 | WASHER | |
| 10 | 535 12 68-01 | 2 | LOCK CLAMP | |
| 11 | 535 13 02-01 | 2 | TORSION SPRING | |
| 12 | 535 13 01-01 | 2 | SPRING | |
| 13 | 535 08 98-01 | 1 | CLIPS | |
| 14 | 535 07 60-02 | 2 | SCREW | |
| 15 | 535 12 93-05 | 2 | SCREW IHPANM | |
| 16 | 535 13 53-01 | 2 | PIVOT | |
| 17 | 535 13 73-01 | 1 | WIRING compl | |
| 18 | 535 13 59-01 | 2 | CHARGING PLATE | 17 |
| 19 | 575 54 33-06 | 2 | SCREW | |
| 20 | 575 54 33-12 | 1 | SCREW | 26 |
| 21 | 505 13 14-01 | 1 | SPACER | 26 |
| 22 | 535 12 78-01 | 2 | SHAFT | |
| 23 | 575 54 33-10 | 4 | SCREW | |
| 24 | 510 09 67-01 | 1 | BODY compl | |
| 25 | 535 12 67-02 | 1 | SWITCH | |
| 26 | 513 99 61-00 | 1 | DECAL US/AU/NZ | |
| 27 | 535 12 66-02 | 1 | HATCH | |
| 28 | 735 58 52-09 | 1 | WASHER | |
| 29 | 734 11 37-41 | 2 | WASHER | |
| 30 | 575 54 33-14 | 2 | SCREW | |
| 31 | 574 43 09-01 | 1 | BUMPER | |

B AUTOMOWER 220 AC CHASSIS UPPER



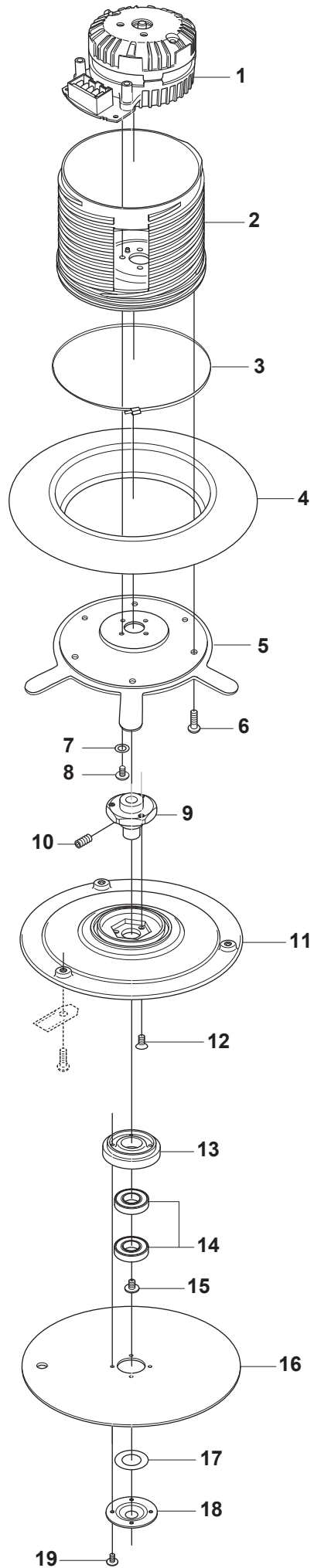
| Position | Article | Quantity | Notes | Kit |
|----------|--------------|----------|-------------------------|-----|
| 1 | 544 90 01-01 | 1 | KEYBOARD | 6 |
| 2 | 577 52 72-01 | 1 | CABLE CLAMP | |
| 3 | 535 10 17-01 | 1 | CAP | 8 |
| 4 | 574 45 01-01 | 4 | SCREW ITXPANT | |
| 5 | 575 98 63-01 | 1 | SEALING STRIP (10 pcs) | 6 |
| 5 | 574 87 47-02 | 1 | SEALING STRIP | |
| 6 | 575 94 42-01 | 1 | DISPLAY COVER compl | |
| 7 | 535 14 47-01 | 1 | FILTER | |
| 8 | 535 12 39-01 | 1 | MAIN SWITCH compl | |
| 9 | 577 59 23-01 | 1 | SWITCH KIT | |
| 10 | 540 06 03-01 | 1 | DISPLAY | |
| 11 | 535 12 79-01 | 1 | BRACKET | |
| 12 | 575 54 33-14 | 1 | SCREW | |
| 13 | 577 67 06-01 | 2 | RUBBER DAMPER | 20 |
| 14 | 575 54 33-14 | 8 | SCREW | |
| 15 | 505 17 43-01 | 2 | RING FASTENER | |
| 16 | 577 52 58-01 | 2 | RUBBER GAITERS | 20 |
| 17 | 503 22 66-01 | 2 | SQUARE NUT | 20 |
| 18 | 579 24 88-01 | 2 | COLUMN | 20 |
| 19 | 535 14 32-01 | 2 | DEFLECTION LIMITER | |
| 20 | 577 59 84-03 | 2 | COLUMN compl | |
| 21 | 510 74 70-00 | 1 | LOCKWASHER | |
| 22 | 544 14 15-01 | 1 | SENSOR | |
| 23 | 535 12 22-01 | 1 | HEIGHT ADJUSTMENT WHEEL | |
| 24 | 574 45 01-01 | 16 | SCREW ITXPANT | |
| 25 | 575 94 38-01 | 1 | CHASSIS | |
| 26 | 575 98 62-01 | 1 | SEALING STRIP (10 pcs) | |
| 26 | 574 87 47-01 | 1 | SEALING STRIP | |
| 27 | 544 12 69-01 | 1 | WIRING | |
| 28 | 578 78 90-01 | 2 | PRINTED CIRCUIT ASSY | |
| 29 | 535 07 60-02 | 2 | SCREW | |
| 30 | 578 78 90-01 | 1 | PRINTED CIRCUIT ASSY | |
| 31 | 535 12 79-01 | 1 | BRACKET | |
| 32 | 575 54 33-14 | 1 | SCREW | |

C AUTOMOWER 220 AC CHASSIS LOWER



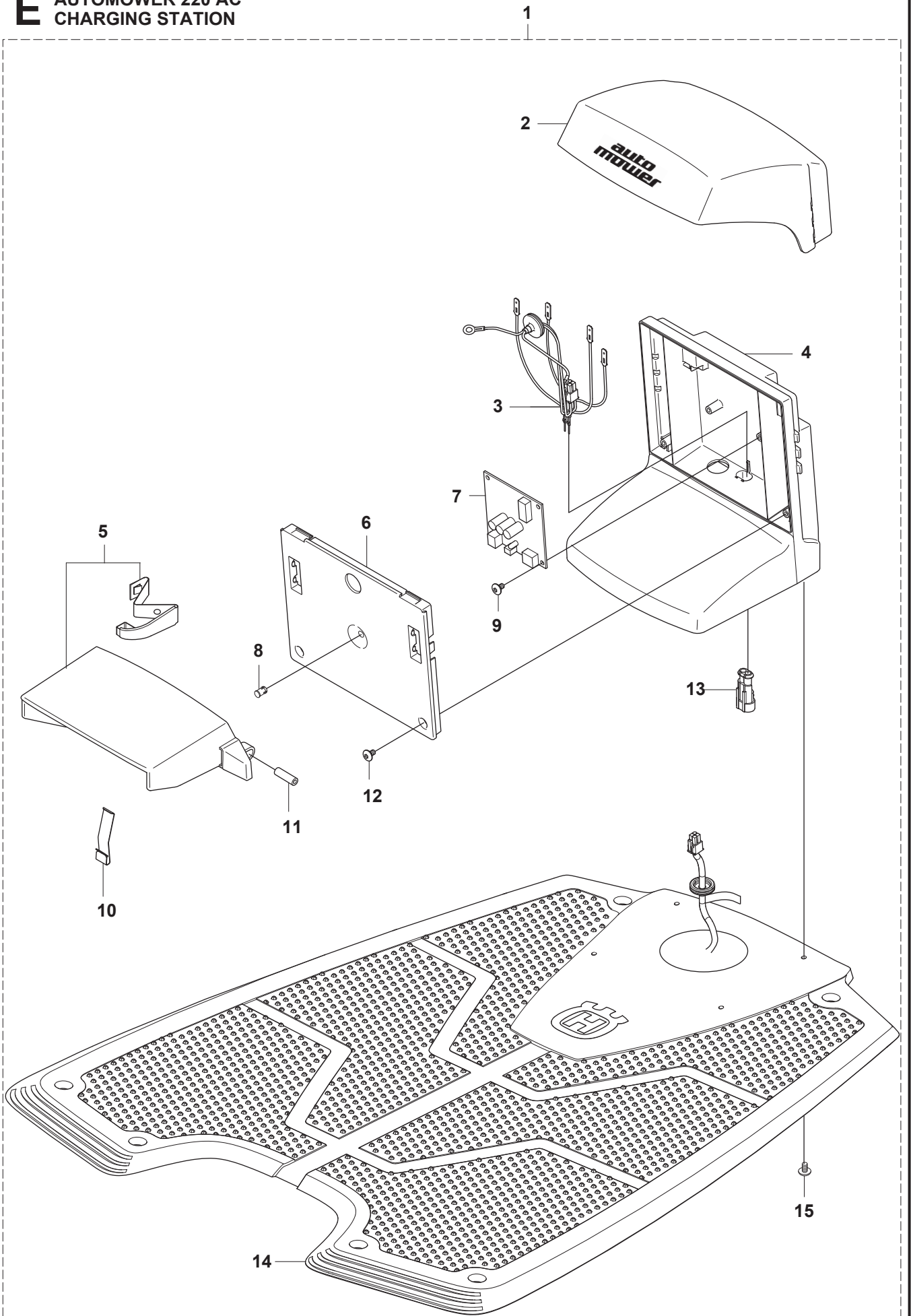
| Position | Article | Quantity | Notes | Kit |
|----------|--------------|----------|--------------------------|-------|
| 1 | 575 54 33-10 | 4 | SCREW | |
| 2 | 535 12 21-02 | 1 | NUT | |
| 3 | 501 00 37-03 | 1 | MAIN WIRING , Linix | |
| 4 | 578 05 61-01 | 1 | CLIP | |
| 4 | 578 05 61-02 | 50 | CLIP | |
| 5 | 578 78 60-01 | 1 | PRINTED CIRCUIT ASSY | |
| 6 | 575 54 33-14 | 2 | SCREW | |
| 7 | 544 90 78-01 | 2 | BRACKET | |
| 8 | 535 12 09-01 | 1 | BATTERY | |
| 9 | 535 13 96-01 | 1 | CABLE HOLDER | |
| 10 | 535 13 03-14 | 1 | SCREW ITXPANT | |
| 11 | 535 12 24-01 | 1 | LOCKING SPRING | |
| 12 | 575 54 33-10 | 2 | SCREW | |
| 13 | 578 78 88-01 | 2 | PRINTED CIRCUIT ASSY | |
| 14 | 502 85 96-01 | 2 | SCREW | |
| 15 | 501 00 42-01 | 1 | BUZZER | |
| 16 | 579 52 12-01 | 1 | NUT | |
| 17 | 735 58 41-09 | 2 | WASHER | 23 |
| 18 | 734 11 52-09 | 2 | WASHER | 23 |
| 19 | 522 50 50-01 | 2 | BALL BEARING | 23 |
| 20 | 522 50 50-01 | 2 | BALL BEARING | 23 |
| 21 | 535 08 78-02 | 2 | WASHER | 23 |
| 22 | 522 50 48-01 | 2 | SPINDLE | 23 |
| 23 | 522 66 45-02 | 1 | KIT compl | |
| 24 | 575 23 17-01 | 2 | WHEEL ASSY | 23 |
| 25 | 523 34 37-01 | 1 | BEARING KIT compl | 23 |
| 26 | 535 08 78-02 | 2 | WASHER | 23,25 |
| 27 | 522 50 50-01 | 2 | BALL BEARING | 23,25 |
| 28 | 522 50 50-01 | 2 | BALL BEARING | 23,25 |
| 29 | 535 08 78-02 | 2 | WASHER | 23,25 |
| 30 | 521 93 31-01 | 2 | COVER WASHER | 23,25 |
| 31 | 575 50 76-01 | 6 | SCREW ITXPANT | |
| 32 | 574 42 74-02 | 1 | PLUG | |
| 33 | 734 11 37-41 | 1 | WASHER | |
| 34 | 575 54 33-14 | 1 | SCREW | |
| 35 | 575 94 39-01 | 1 | CHASSIS | |
| 36 | 535 13 92-03 | 2 | GASKET | |
| 37 | 575 54 33-16 | 8 | SCREW | |
| 38 | 502 63 36-01 | 2 | DRIVE MOTOR compl, Linix | |
| 40 | 544 90 68-02 | 1 | HUB | 38 |
| 41 | 574 44 98-01 | 2 | WHEEL | |
| 42 | 535 13 50-02 | 2 | WHEEL | 43 |
| 43 | 535 13 60-03 | 2 | GEAR WHEEL compl | |
| 44 | 544 90 52-03 | 2 | HUB CAP | |
| 45 | 535 13 94-01 | 2 | SCREW IHCSFM | |
| 46 | 504 20 08-01 | 2 | COVER WASHER | |
| 47 | 575 98 62-01 | 1 | SEALING STRIP (10 pcs) | |
| 47 | 574 87 47-01 | 1 | SEALING STRIP | |

D AUTOMOWER 220 AC
BLADE MOTOR
& CUTTING EQUIPMENT



| Position | Article | Quantity | Notes | Kit |
|----------|--------------|----------|----------------|-----|
| 1 | 535 12 36-01 | 1 | CUTTING MOTOR | |
| 2 | 510 14 41-01 | 1 | MOTOR BOWL | |
| 3 | 525 25 14-01 | 1 | TIE WRAP | |
| 4 | 535 12 23-01 | 1 | RUBBER GAITERS | |
| 5 | 522 77 15-02 | 1 | PLATE | |
| 6 | 575 54 33-14 | 6 | SCREW | |
| 7 | 734 11 37-41 | 4 | WASHER | |
| 8 | 502 23 91-01 | 4 | SCREW | |
| 9 | 535 07 55-01 | 1 | HUB | |
| 10 | 728 82 85-01 | 1 | SCREW IHSETM | |
| 11 | 535 12 63-01 | 1 | BLADE DISK | |
| 12 | 535 13 05-01 | 3 | SCREW | |
| 13 | 535 12 64-01 | 1 | BEARING BOX | |
| 14 | 535 07 57-02 | 1 | BALL BEARING | |
| 15 | 535 07 60-01 | 1 | SCREW | |
| 16 | 535 07 59-01 | 1 | SKID PLATE | |
| 17 | 535 08 25-01 | 1 | GASKET | |
| 18 | 535 08 15-01 | 1 | COVER WASHER | |
| 19 | 575 54 33-10 | 4 | SCREW | |

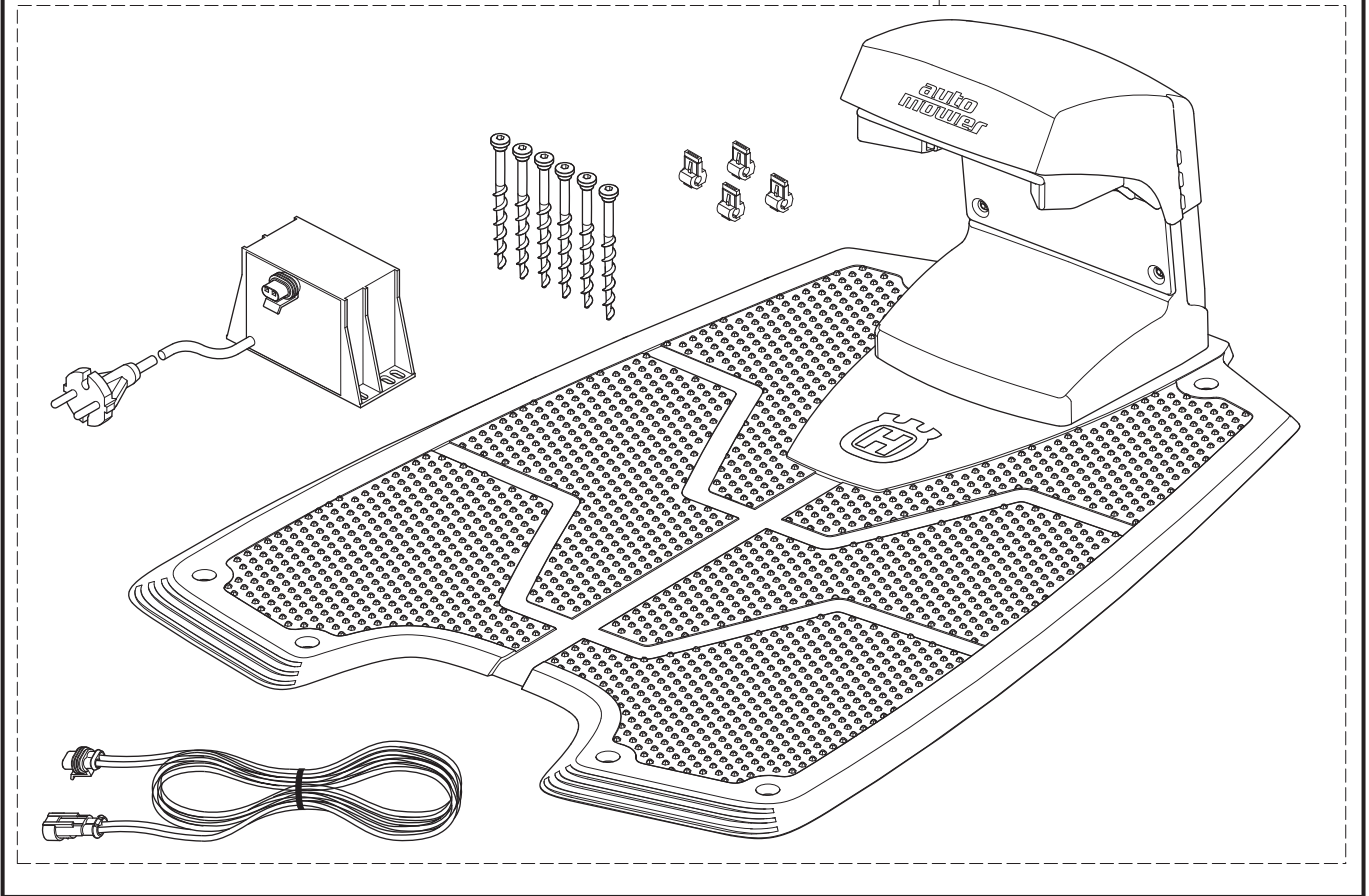
E AUTOMOWER 220 AC CHARGING STATION



| Position | Article | Quantity | Notes | Kit |
|----------|--------------|----------|---------------------------|-----|
| 1 | 574 90 20-01 | 1 | CHARGING STATION | |
| 1 | 574 90 20-04 | 1 | CHARGING STATION (CH) | |
| 2 | 535 12 47-02 | 1 | COVER | |
| 3 | 544 98 38-06 | 1 | WIRING ASSY | |
| 4 | 574 82 75-01 | 1 | BODY | |
| 5 | 510 05 97-02 | 1 | KIT, Charging Plate | |
| 6 | 535 12 44-01 | 1 | CAP | |
| 7 | 578 78 84-01 | 1 | PRINTED CIRCUIT ASSY | |
| 7 | 584 82 20-01 | 1 | PRINTED CIRCUIT ASSY (CH) | |
| 8 | 535 12 87-02 | 1 | DIODE LENS | |
| 9 | 575 54 33-10 | 2 | SCREW | |
| 10 | 535 12 86-01 | 2 | SPRING PLATE | |
| 11 | 535 12 50-01 | 2 | PIN | |
| 12 | 575 54 33-14 | 2 | PIN | |
| 13 | 535 12 85-01 | 1 | PIN | |
| 14 | 575 23 16-01 | 1 | PIN | |
| 15 | 575 54 33-14 | 4 | PIN | |

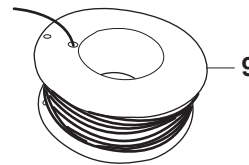
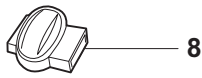
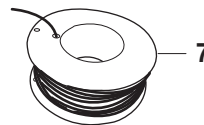
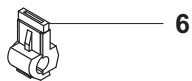
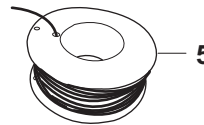
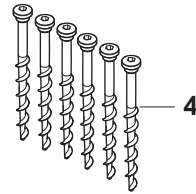
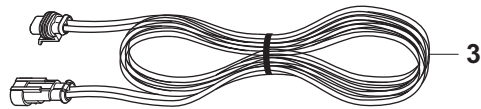
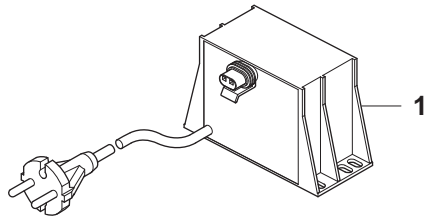
F AUTOMOWER 220 AC
CHARGING STATION

1

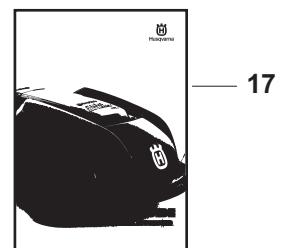
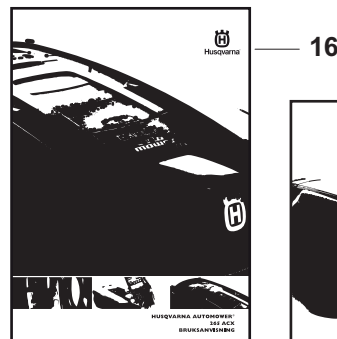
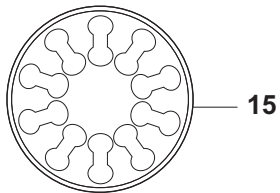
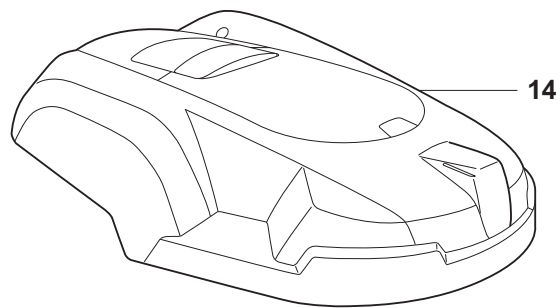
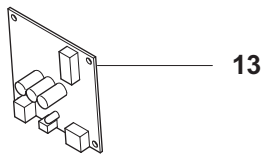


| Position | Article | Quantity | Notes | Kit |
|----------|--------------|----------|---------------------------------|-----|
| 1 | 575 24 13-01 | 1 | CHARGING STATION KIT (EU) | |
| 1 | 575 24 13-02 | 1 | CHARGING STATION KIT (UK/IRL) | |
| 1 | 575 24 13-03 | 1 | CHARGING STATION KIT (CH) | |
| 1 | 575 24 13-04 | 1 | CHARGING STATION KIT (US/CA/MX) | |
| 1 | 575 24 13-05 | 1 | CHARGING STATION KIT (AU/NZ) | |

G AUTOMOWER 220 AC ACCESSORIES



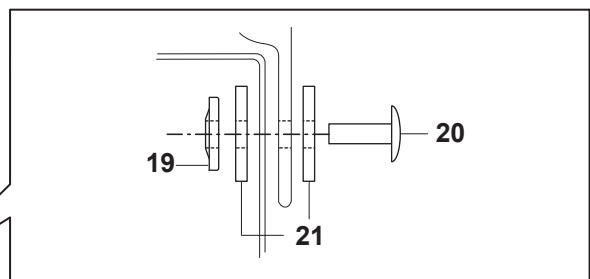
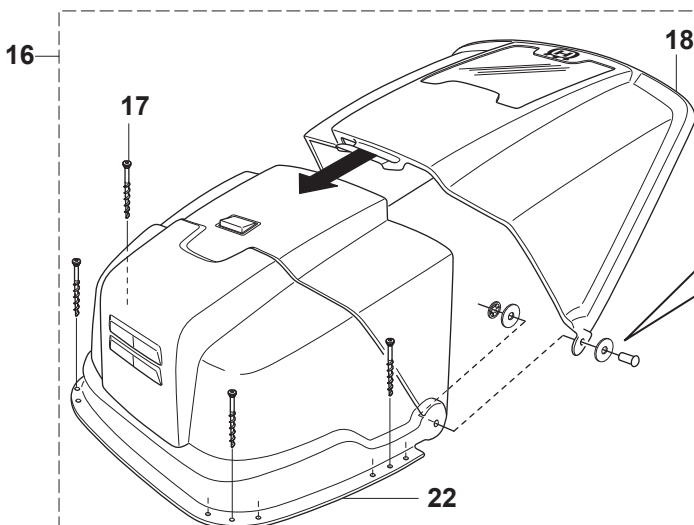
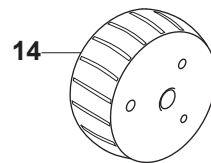
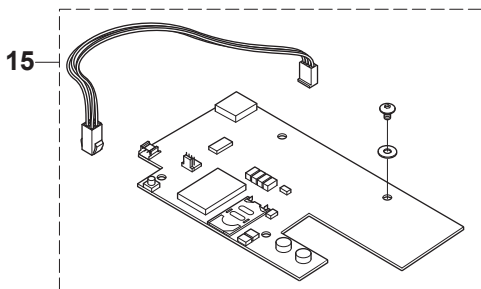
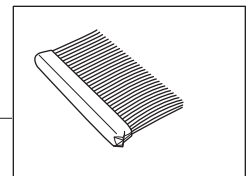
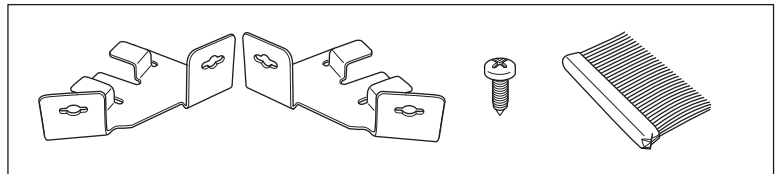
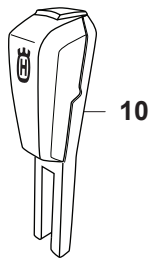
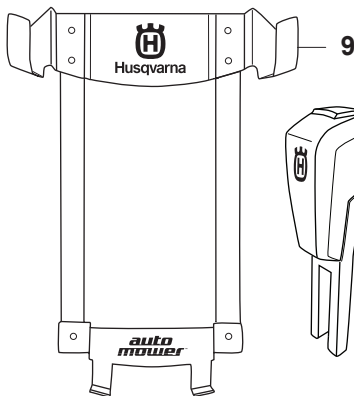
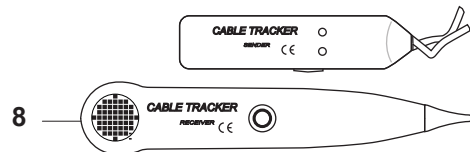
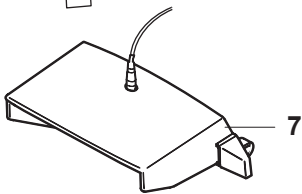
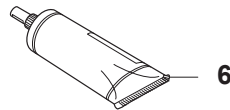
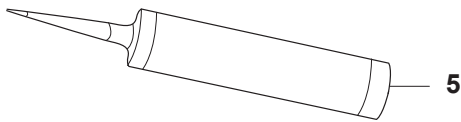
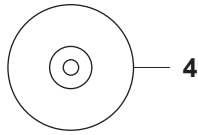
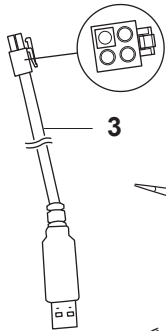
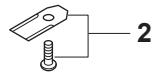
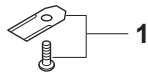
11



| Position | Article | Quantity | Notes | Kit |
|----------|--------------|----------|---|-----|
| 1 | 535 12 37-01 | 1 | TRANSFORMER (EU) | |
| 1 | 535 12 37-02 | 1 | TRANSFORMER (UK/IRL) | |
| 1 | 535 12 37-03 | 1 | TRANSFORMER (CH) | |
| 1 | 535 12 37-04 | 1 | TRANSFORMER (US/MX) | |
| 1 | 535 12 37-05 | 1 | TRANSFORMER (AU/NZ) | |
| 2 | 504 04 97-01 | 1 | STAPLE, 100pcs | |
| 2 | 577 86 42-01 | 1 | STAPLE, Blister pack, 100pcs | |
| 3 | 535 12 73-05 | 1 | WIRING (20m) | |
| 4 | 575 23 86-01 | 1 | SCREW KIT, 6pcs | |
| 4 | 577 86 49-01 | 2 | SCREW KIT, Blister Pack, 3pcs | |
| 5 | 501 98 03-02 | 1 | WIRE (150m) | |
| 5 | 577 86 43-01 | 1 | WIRE, Blister pack, (150m) | |
| 6 | 535 12 90-01 | 1 | LOOP WIRE CONNECTOR | |
| 6 | 577 86 48-01 | 1 | LOOP WIRE CONNECTOR, Blister Pack, 5pcs | |
| 7 | 501 98 03-01 | 1 | WIRE (250m) | |
| 8 | 501 98 02-01 | 1 | COUPLER | |
| 8 | 577 86 47-01 | 2 | COUPLER, Blister pack, 5pcs | |
| 9 | 522 91 41-01 | 1 | WIRE (500m, Ø3.4 mm) | |
| 10 | 501 98 02-02 | 1 | COUPLER, 50pcs | |
| 11 | 544 17 75-01 | 1 | MEASURING TAPE | |
| 12 | 535 13 16-01 | 1 | LABEL | |
| 13 | 584 82 20-01 | 1 | CS CB Thunder lightning protection | |
| 14 | 575 24 26-01 | 1 | COVER, complete kit, Earth, dark brown metallic | |
| 14 | 575 24 26-02 | 1 | COVER, complete kit, Air, white metallic | |
| 14 | 575 24 26-03 | 1 | COVER, complete kit, Water, dark blue metallic | |
| 14 | 575 24 26-04 | 1 | COVER, complete kit, Fire, orange metallic | |
| 15 | 581 84 28-01 | 1 | STICKER, Cable markers | |
| 16 | 115 53 38-01 | 1 | OPERATOR'S MANUAL, Swedish | |
| 16 | 115 53 38-06 | 1 | OPERATOR'S MANUAL, Danish | |
| 16 | 115 53 38-11 | 1 | OPERATOR'S MANUAL, Finnish | |
| 16 | 115 53 38-21 | 1 | OPERATOR'S MANUAL, Norwegian | |
| 16 | 115 53 38-26 | 1 | OPERATOR'S MANUAL, English | |
| 16 | 115 53 38-31 | 1 | OPERATOR'S MANUAL, French | |
| 16 | 115 53 38-32 | 1 | OPERATOR'S MANUAL, French (Canada) | |
| 16 | 115 53 38-36 | 1 | OPERATOR'S MANUAL, Dutch | |
| 16 | 115 53 38-41 | 1 | OPERATOR'S MANUAL, Italian | |
| 16 | 115 53 38-46 | 1 | OPERATOR'S MANUAL, Spanish | |
| 16 | 115 53 38-51 | 1 | OPERATOR'S MANUAL, German | |
| 16 | 115 53 38-56 | 1 | OPERATOR'S MANUAL, Russian | |
| 16 | 115 53 38-58 | 1 | OPERATOR'S MANUAL, Hungarian | |
| 16 | 115 53 38-59 | 1 | OPERATOR'S MANUAL, Portuguese | |
| 16 | 115 53 38-61 | 1 | OPERATOR'S MANUAL, Polish | |
| 16 | 115 53 38-62 | 1 | OPERATOR'S MANUAL, Romanian | |
| 16 | 115 53 38-63 | 1 | OPERATOR'S MANUAL, Estonian | |
| 16 | 115 53 38-64 | 1 | OPERATOR'S MANUAL, Lettish | |
| 16 | 115 53 38-65 | 1 | OPERATOR'S MANUAL, Lithuanian | |
| 16 | 115 53 38-68 | 1 | OPERATOR'S MANUAL, Slovak | |
| 16 | 115 53 38-71 | 1 | OPERATOR'S MANUAL, Greek | |
| 16 | 115 53 38-76 | 1 | OPERATOR'S MANUAL, Turkish | |
| 16 | 115 53 38-81 | 1 | OPERATOR'S MANUAL, Croatian | |
| 16 | 115 53 38-84 | 1 | OPERATOR'S MANUAL, Slovenian | |
| 16 | 115 53 38-90 | 1 | OPERATOR'S MANUAL, OPERATOR'S MANUAL, Czech | |
| 16 | 115 53 38-95 | 1 | OPERATOR'S MANUAL, English (EPA, CARB) | |
| 16 | 115 53 38-96 | 1 | OPERATOR'S MANUAL, Spanish (USA) | |
| 17 | 115 13 05-01 | 1 | QUICK GUIDE, Swedish | |
| 17 | 115 13 05-06 | 1 | QUICK GUIDE, Danish | |

| Position | Article | Quantity | Notes | Kit |
|----------|--------------|----------|----------------------------------|-----|
| 17 | 115 13 05-11 | 1 | QUICK GUIDE, Finnish | |
| 17 | 115 13 05-21 | 1 | QUICK GUIDE, Norwegian | |
| 17 | 115 13 05-26 | 1 | QUICK GUIDE, English | |
| 17 | 115 13 05-31 | 1 | QUICK GUIDE, French | |
| 17 | 115 13 05-32 | 1 | QUICK GUIDE, French (Canada) | |
| 17 | 115 13 05-36 | 1 | QUICK GUIDE, Dutch | |
| 17 | 115 13 05-41 | 1 | QUICK GUIDE, Italian | |
| 17 | 115 13 05-46 | 1 | QUICK GUIDE, Spanish | |
| 17 | 115 13 05-51 | 1 | QUICK GUIDE, German | |
| 17 | 115 13 05-56 | 1 | QUICK GUIDE, Russian | |
| 17 | 115 13 05-58 | 1 | QUICK GUIDE, Hungarian | |
| 17 | 115 13 05-59 | 1 | QUICK GUIDE, Portuguese | |
| 17 | 115 13 05-61 | 1 | QUICK GUIDE, Polish | |
| 17 | 115 13 05-62 | 1 | QUICK GUIDE, Romanian | |
| 17 | 115 13 05-63 | 1 | QUICK GUIDE, Estonian | |
| 17 | 115 13 05-64 | 1 | QUICK GUIDE, Lettish | |
| 17 | 115 13 05-65 | 1 | QUICK GUIDE, Lithuanian | |
| 17 | 115 13 05-68 | 1 | QUICK GUIDE, Slovak | |
| 17 | 115 13 05-71 | 1 | QUICK GUIDE, Greek | |
| 17 | 115 13 05-76 | 1 | QUICK GUIDE, Turkish | |
| 17 | 115 13 05-81 | 1 | QUICK GUIDE, Croatian | |
| 17 | 115 13 05-84 | 1 | QUICK GUIDE, Slovenian | |
| 17 | 115 13 05-90 | 1 | QUICK GUIDE, Czech | |
| 17 | 115 13 05-95 | 1 | QUICK GUIDE, English (EPA, CARB) | |
| 17 | 115 13 05-96 | 1 | QUICK GUIDE, Spanish (USA) | |

H AUTOMOWER 220 AC ACCESSORIES



17

18

19

20

21

22

| Position | Article | Quantity | Notes | Kit |
|----------|--------------|----------|--|-----|
| 1 | 535 13 87-02 | 1 | BLADE, Carbon steel, 9pcs | |
| 1 | 577 86 44-01 | 1 | BLADE, Carbon steel, Blister Pack, 9pcs | |
| 1 | 535 13 88-02 | 1 | BLADE, Carbon steel, 30pcs | |
| 1 | 505 12 78-02 | 1 | BLADE, Carbon steel, 500pcs | |
| 2 | 577 60 64-02 | 1 | BLADE, Carbon steel, Thick, 9pcs | |
| 2 | 577 86 46-01 | 1 | BLADE, Carbon steel, Thick, Blister Pack, 9pcs | |
| 2 | 577 60 65-02 | 1 | BLADE, Carbon steel, Thick, 30pcs | |
| 2 | 577 60 66-02 | 1 | BLADE, Carbon steel, Thick, 300pcs | |
| 3 | 535 13 23-02 | 1 | SERVICE CABLE (USB) | |
| 4 | 577 85 81-02 | 1 | AUTOCHECK EXP DVD | |
| 5 | 578 05 13-02 | 1 | GREASE TUBE, Yellow (300 ml) | |
| 5 | 579 38 19-02 | 1 | GREASE TUBE, Transparent (300 ml) | |
| 6 | 578 05 13-01 | 1 | GREASE TUBE, Yellow (85 ml) | |
| 6 | 579 38 19-01 | 1 | GREASE TUBE, Transparent (85 ml) | |
| 7 | 522 73 65-01 | 1 | ADAPTER PIN code transfer unit | |
| 8 | 577 60 68-01 | 1 | INTERRUPTION DETECTOR | |
| 9 | 504 82 13-01 | 1 | WALL BRACKET ASSY | |
| 10 | 522 42 58-01 | 1 | SIGNAL BOOSTER | |
| 11 | 505 13 27-01 | 1 | BRUSH KIT, Incl Brush, 6pcs | |
| 11 | 577 86 50-01 | 1 | BRUSH KIT, Incl Brush, Blister Pack, 6pcs | |
| 12 | 505 13 28-02 | 1 | BRUSH, 6pcs | |
| 13 | 522 91 67-01 | 1 | BAG | |
| 14 | 575 23 17-02 | 1 | HEAVY WHEEL (400g) | |
| 14 | 577 86 51-01 | 1 | HEAVY WHEEL (400g), Blister pack, 2pcs | |
| 15 | 575 24 24-02 | 1 | GPS UNIT compl GPS module | |
| 16 | 504 82 14-01 | 1 | COVER KIT compl | |
| 17 | 575 23 86-01 | 1 | SCREW KIT, 6pcs | 16 |
| 18 | 505 25 07-01 | 2 | LID | 16 |
| 19 | 505 18 81-01 | 2 | LOCK WASHER | 16 |
| 20 | 505 12 36-01 | 4 | PIN | 16 |
| 21 | 505 22 94-01 | 1 | WASHER | 16 |
| 22 | 505 12 32-01 | 1 | HOUSING | 16 |